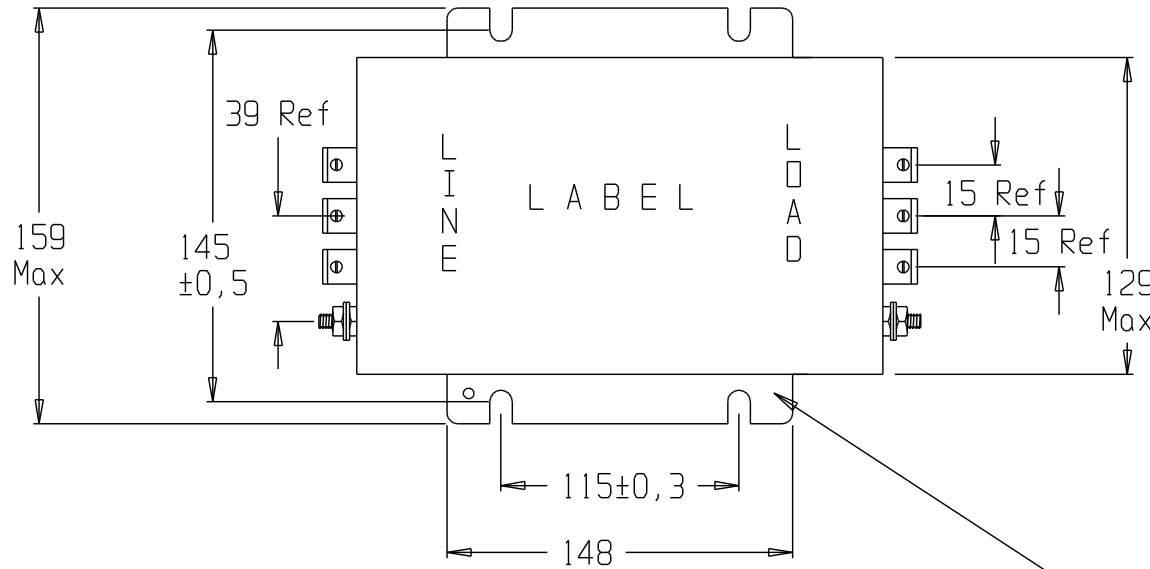
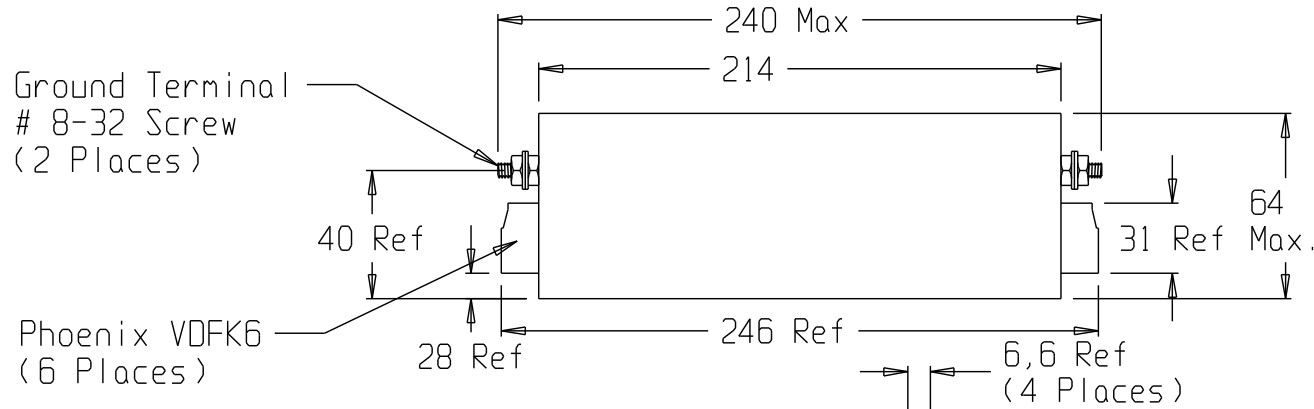


CUSTOMER DRAWING

EC #	APPRVD.	DATE	REV.
/	/	/	/



SPECIFICATION

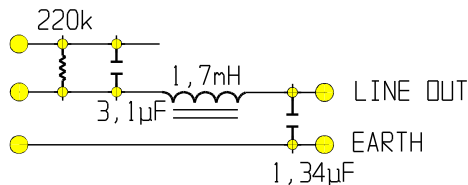
36Amp /40°C 50-60Hz

440VAC Phase to Phase
250VAC Phase to Neutral/Gnd

ATTENUATION

Comm.Mode - 66dB μ V at 100kHz
Dif.Mode - 80dB μ V at 100kHz

EQUIVALENT SCHEMATIC MEASURED AT 1kHz



Max. Leakage current at 10% unsymmetrical mains, each Line to Ground:
2,5mA at 120V 60Hz
4,3mA at 250V 50Hz

PARTS SHALL COMPLY WITH TYCO ELECTRONICS 230-702 SPECIFICATION FOR HAZARDOUS SUBSTANCES



Tyco Electronics

CORCOM PRODUCTS, 620 S. BUTTERFIELD RD. MUNDELEIN IL 60060

CUSTOMER DRAWING

TYCO ELECTRONICS PART NO. 6609070-5		ORG. NO.		REV.
SCALE: NTS	DATE: 16FEB07	36FCD10		B
DRW. BY: MS	DRIG: MS			

SHEET SIZE	THIRD ANGLE PROJECTION

THIS INFORMATION IS CONFIDENTIAL AND PROPRIETARY TO TYCO ELECTRONICS CORPORATION AND ITS WORLDWIDE SUBSIDIARIES AND AFFILIATES. IT MAY NOT BE DISCLOSED TO ANYONE OTHER THAN TYCO ELECTRONICS PERSONEL, WITHOUT WRITTEN AUTHORIZATION FROM TYCO ELECTRONICS CORPORATION.
HARRISBURG, PENNSYLVANIA USA